

# Anchor Lamina

---



## Lamina Components – Round Mold Products

[www.anchorlamina.com](http://www.anchorlamina.com)  
Check our website for the latest  
technical information.

# Lamina Components

## TABLE OF CONTENTS

### Shoulder Bushings

Bronze-Plated – Inch ..... 3  
 Bronze-Plated – Metric ..... 3  
 Hardened Steel ..... 4  
 Self-Lubricating ..... 4  
 Solid Bronze..... 5

### Straight Bushings

Bronze-Plated – Inch ..... 6  
 Hardened Steel ..... 6  
 Self-Lubricating ..... 7  
 Solid Bronze..... 8

### Ejector Bushings

Bronze-Plated – Inch ..... 9  
 Bronze-Plated – Metric ..... 9  
 Self-Lubricating – Inch ..... 10  
 Self-Lubricating – Metric ..... 10  
 Solid Bronze..... 11

### Leader Pins

Inch ..... 12  
 Metric ..... 13

Lamina began as a lamination die manufacturer in 1938. During the years from 1938 to the present Lamina has evolved into a manufacturer and distributor of die and mold components. Even though we no longer make dies, we do understand the die and mold maker's needs and objectives.

We have made it our business to supply quality products in a timely manner at reasonable prices. We know how to compete in the marketplace and supply you with the products you need when you need them.

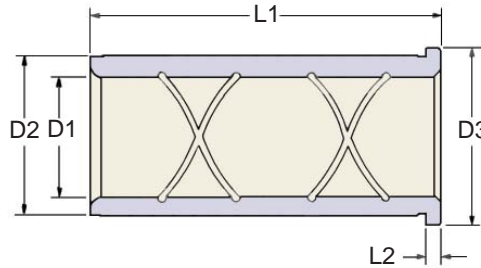
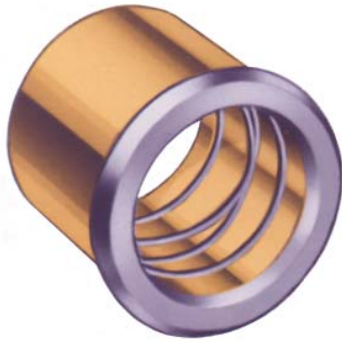
We introduce this catalog featuring bronze-plated, hardened steel and self-lubricating bronze mold bushings and steel pins. It is our purpose to help you become more productive by helping to eliminate your downtime. With the products in stock, we will become your one-stop supplier and deliver the products you require each and every day.

Our catalog is presented in a easy-to-read format that displays the selection of products you need without a lot of extra data.



BORE SIZES FOR INCH BUSHINGS		BORE SIZES FOR METRIC BUSHINGS	
Nominal Pin Diameter	BORE LIMITS	Nominal Pin Diameter	BORE LIMITS
3/4	<u>1.1250</u> 1.1245	20	<u>26.000</u> 25.988
7/8	<u>1.2500</u> 1.2495	25	<u>32.000</u> 31.988
1	<u>1.3750</u> 1.3745	30	<u>38.000</u> 37.998
1-1/4	<u>1.6250</u> 1.6245	40	<u>50.000</u> 49.988
1-1/2	<u>2.0000</u> 1.9995	50	<u>60.000</u> 59.988
1-3/4	<u>2.2500</u> 2.2495	60	<u>70.000</u> 69.988
2	<u>2.5000</u> 2.4995		
2-1/4	<u>2.7500</u> 2.7495		
2-1/2	<u>3.2500</u> 3.2495		
3	<u>3.7500</u> 3.7495		

# Lamina Components



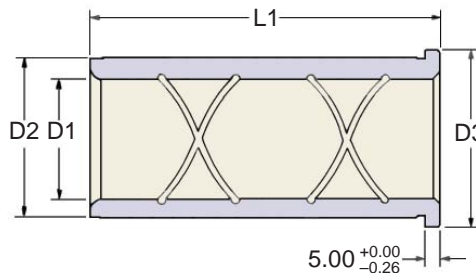
GENERAL DIMENSIONS				
NOM I.D.	D1 +0.0005 -0.0000	D2 +0.0005 -0.0000	D3 +0.000 -0.015	L2 +0.000 -0.005
3/4	.7505	1.1255	1.302	.187
7/8	.8755	1.2505	1.427	.187
1	1.0005	1.3755	1.552	.187
1-1/4	1.2505	1.6255	1.802	.187
1-1/2	1.5005	2.0005	2.177	.187
2	2.0005	2.5005	2.677	.187
2-1/2	2.5005	3.2505	3.427	.187
3	3.0005	3.7505	3.990	.500

## SHOULDER BUSHINGS - BRONZE PLATED - INCH

L1 LENGTH -.031/-0.062	INSIDE DIAMETER							
	3/4	7/8	1	1-1/4	1-1/2	2	2-1/2	3
7/8	LBB-06-07	LBB-07-07	LBB-08-07	LBB-10-07	LBB-12-07			
1-3/8	LBB-06-13	LBB-07-13	LBB-08-13	LBB-10-13	LBB-12-13	LBB-16-13	LBB-20-13	
1-7/8	LBB-06-17	LBB-07-17	LBB-08-17	LBB-10-17	LBB-12-17	LBB-16-17	LBB-20-17	
2-3/8	LBB-06-23	LBB-07-23	LBB-08-23	LBB-10-23	LBB-12-23	LBB-16-23	LBB-20-23	
2-7/8	LBB-06-27	LBB-07-27	LBB-08-27	LBB-10-27	LBB-12-27	LBB-16-27	LBB-20-27	
3-3/8	LBB-06-33	LBB-07-33	LBB-08-33	LBB-10-33	LBB-12-33	LBB-16-33	LBB-20-33	
3-7/8	LBB-06-37	LBB-07-37	LBB-08-37	LBB-10-37	LBB-12-37	LBB-16-37	LBB-20-37	LBB-24-37
4-3/8	LBB-06-43	LBB-07-43	LBB-08-43	LBB-10-43	LBB-12-43	LBB-16-43	LBB-20-43	
4-7/8	LBB-06-47	LBB-07-47	LBB-08-47	LBB-10-47	LBB-12-47	LBB-16-47	LBB-20-47	LBB-24-47
5-7/8	LBB-06-57	LBB-07-57	LBB-08-57	LBB-10-57	LBB-12-57	LBB-16-57	LBB-20-57	LBB-24-57
7-7/8								LBB-24-77

Precision-ground steel with exclusive Lamina Bronze plating. These are the only bushings that give you oil grooves and a true bushing surface that extends the full length of the bushing.

Lamina-Bronze bushings will operate smoother and longer than plain steel bushings ever could. Whatever lubricant is used, it is distributed throughout the bearing surface by the figure-8 oil groove system. The bronze surface will not gall.



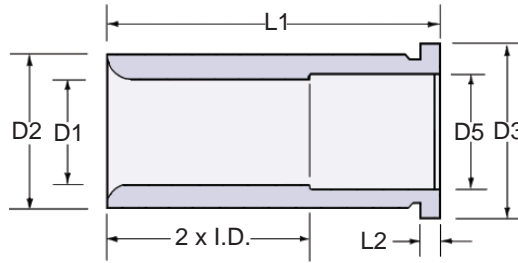
GENERAL DIMENSIONS			
Nom. I.D.	D1 +0.013 -0.000	D2 +0.013 -0.000	D3 +0.00 -0.13
20	20.013	26.013	28.00
25	25.013	32.013	35.00
30	30.013	38.013	41.00
40	40.013	50.013	53.00
50	50.013	60.013	63.00
60	60.013	70.013	73.00

## SHOULDER BUSHINGS - BRONZE PLATED - METRIC

L1 LENGTH +0.00 -0.76	INSIDE DIAMETER					
	20mm	25mm	30mm	40mm	50mm	60mm
25.00	LBBM-20-x-25	LBBM-25-x-25	LBBM-30-x-25	LBBM-40-x-25		
30.00	LBBM-20-x-30	LBBM-25-x-30	LBBM-30-x-30	LBBM-40-x-30	LBBM-50-x-30	LBBM-60-x-30
40.00	LBBM-20-x-40	LBBM-25-x-40	LBBM-30-x-40	LBBM-40-x-40	LBBM-50-x-40	LBBM-60-x-40
50.00	LBBM-20-x-50	LBBM-25-x-50	LBBM-30-x-50	LBBM-40-x-50	LBBM-50-x-50	LBBM-60-x-50
65.00	LBBM-20-x-65	LBBM-25-x-65	LBBM-30-x-65	LBBM-40-x-65	LBBM-50-x-65	LBBM-60-x-65
80.00	LBBM-20-x-80	LBBM-25-x-80	LBBM-30-x-80	LBBM-40-x-80	LBBM-50-x-80	LBBM-60-x-80
100.00	LBBM-20-x-100	LBBM-25-x-100	LBBM-30-x-100	LBBM-40-x-100	LBBM-50-x-100	LBBM-60-x-100
120.00	LBBM-20-x-120	LBBM-25-x-120	LBBM-30-x-120	LBBM-40-x-120	LBBM-50-x-120	LBBM-60-x-120
140.00		LBBM-25-x-140	LBBM-30-x-140	LBBM-40-x-140	LBBM-50-x-140	LBBM-60-x-140
150.00		LBBM-25-x-150	LBBM-30-x-150	LBBM-40-x-150	LBBM-50-x-150	LBBM-60-x-150



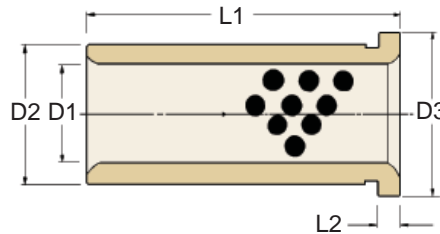
# Lamina Components



GENERAL DIMENSIONS					
Nom. I.D.	D1 +0.005 -0.000	D2 +0.005 -0.000	D3 +0.000 -0.005	D5 +0.015 -0.000	L2 +0.000 -0.005
3/4	.7505	1.1255	1.250	.781	.187
7/8	.8755	1.2505	1.375	.906	.187
1	1.0005	1.3755	1.500	1.031	.187
1-1/4	1.2505	1.6255	1.750	1.281	.187
1-1/2	1.5005	2.0005	2.125	1.531	.187
2	2.0005	2.5005	2.625	2.031	.187
2-1/2	2.5005	3.2505	3.375	2.531	.187
3	3.0005	3.7505	3.937	3.031	.500

## SHOULDER BUSHING - SOLID STEEL - INCH

L1 LENGTH	D1 (INSIDE DIAMETER)							
	3/4	7/8	1	1-1/4	1-1/2	2	2-1/2	3
7/8	HLBB0607	HLBB0707	HLBB0807	HLBB1007	HLBB1207			
1-3/8	HLBB0613	HLBB0713	HLBB0813	HLBB1013	HLBB1213	HLBB1613	HLBB2013	
1-7/8	HLBB0617	HLBB0717	HLBB0817	HLBB1017	HLBB1217	HLBB1617	HLBB2017	
2-3/8	HLBB0623	HLBB0723	HLBB0823	HLBB1023	HLBB1223	HLBB1623	HLBB2023	
2-7/8	HLBB0627	HLBB0727	HLBB0827	HLBB1027	HLBB1227	HLBB1627	HLBB2027	
3-3/8	HLBB0633	HLBB0733	HLBB0833	HLBB1033	HLBB1233	HLBB1633	HLBB2033	
3-7/8	HLBB0637	HLBB0737	HLBB0837	HLBB1037	HLBB1237	HLBB1637	HLBB2037	HLBB2437
4-3/8	HLBB0643		HLBB0843	HLBB1043	HLBB1243	HLBB1643	HLBB2043	
4-7/8		HLBB0747	HLBB0847	HLBB1047	HLBB1247	HLBB1647	HLBB2047	HLBB2447
5-7/8		HLBB0757	HLBB0857	HLBB1057	HLBB1257	HLBB1657	HLBB2057	HLBB2457
7-7/8								HLBB2477

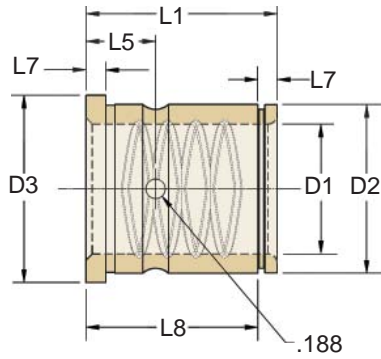


GENERAL DIMENSIONS				
Nom. I.D.	D1 +0.005 -0.000	D2 +0.005 -0.000	D3 +0.000 -0.005	L2 +0.000 -0.005
3/4	.7505	1.1255	1.302	.187
7/8	.8755	1.2505	1.427	.187
1	1.0005	1.3755	1.552	.187
1-1/4	1.2505	1.6255	1.802	.187
1-1/2	1.5005	2.0005	2.177	.187
2	2.0005	2.5005	2.677	.187
2-1/2	2.5005	3.2505	3.427	.187
3	3.0005	3.7505	3.990	.500

## SHOULDER BUSHINGS - SELF-LUBRICATING - INCH

L1 LENGTH -.031 -.062	D1 (INSIDE DIAMETER)							
	3/4	7/8	1	1-1/4	1-1/2	2	2-1/2	3
7/8	BGLB0607	BGLB0707	BGLB0807	BGLB1007	BGLB1207			
1-3/8	BGLB0613	BGLB0713	BGLB0813	BGLB1013	BGLB1213	BGLB1613	BGLB2013	
1-7/8	BGLB0617	BGLB0717	BGLB0817	BGLB1017	BGLB1217	BGLB1617	BGLB2017	
2-3/8	BGLB0623	BGLB0723	BGLB0823	BGLB1023	BGLB1223	BGLB1623	BGLB2023	
2-7/8	BGLB0627	BGLB0727	BGLB0827	BGLB1027	BGLB1227	BGLB1627	BGLB2027	
3-3/8	BGLB0633	BGLB0733	BGLB0833	BGLB1033	BGLB1233	BGLB1633	BGLB2033	
3-7/8	BGLB0637	BGLB0737	BGLB0837	BGLB1037	BGLB1237	BGLB1637	BGLB2037	BGLB2437
4-3/8	BGLB0643	BGLB0743	BGLB0843	BGLB1043	BGLB1243	BGLB1643	BGLB2043	
4-7/8	BGLB0647	BGLB0747	BGLB0847	BGLB1047	BGLB1247	BGLB1647	BGLB2047	BGLB2447
5-7/8	BGLB0657	BGLB0757	BGLB0857	BGLB1057	BGLB1257	BGLB1657	BGLB2057	BGLB2457
7-7/8								BGLB2477

# Anchor Lamina Components



- Lubrication ring with lubrication hole
- Press Fit Diameter ground to size
- Radii to serve as lead
- I.D. Oversize to accomodate expansion

## SHOULDER BUSHINGS - SOLID BRONZE - INCH

PART NUMBER	Nom I.D.	D1 +.0005 -.0000	D2 +.0005 -.0000	D3 +.000 -.015	L1 -.031 -.062	L2 +.000 -.005	L5 ±.01	L7	L8	PART NUMBER	Nom I.D.	D1 +.0005 -.0000	D2 +.0005 -.0000	D3 +.000 -.015	L1 -.031 -.062	L2 +.000 -.005	L5 ±.05	L7	L8																																																	
BFB0607	3/4"	.7505	1.1255	1.302	7/8	.187	1.56	.187	0.657	BFB1207	1 1/2"	1.5005	2.0005	2.177	7/8	.187	1.56	.187	0.657																																																	
BFB0613					1-3/8				1.157	BFB1213					1-3/8				1.157																																																	
BFB0617					1-7/8				1.657	BFB1217					1-7/8				1.657																																																	
BFB0623					2-3/8				2.157	BFB1223					2-3/8				2.157																																																	
BFB0627					2-7/8				2.657	BFB1227					2-7/8				2.657																																																	
BFB0633					3-3/8				3.157	BFB1233					3-3/8				3.157																																																	
BFB0637					3-7/8				3.657	BFB1237					3-7/8				3.657																																																	
BFB0643					4-3/8				4.157	BFB1243					4-3/8				4.157																																																	
BFB0647					4-7/8				4.657	BFB1247					4-7/8				4.657																																																	
BFB0657					5-7/8				5.657	BFB1257					5-7/8				5.657																																																	
BFB0707	7/8"	.8755	1.2505	1.427	7/8	.187	1.56	.187	0.657	BFB1607	2"	2.0005	2.5005	2.677	7/8	.187	1.56	.187	0.657																																																	
BFB0713					1-3/8				1.157	BFB1613					1-3/8				1.157																																																	
BFB0717					1-7/8				1.657	BFB1617					1-7/8				1.657																																																	
BFB0723					2-3/8				2.157	BFB1623					2-3/8				2.157																																																	
BFB0727					2-7/8				2.657	BFB1627					2-7/8				2.657																																																	
BFB0733					3-3/8				3.157	BFB1633					3-3/8				3.157																																																	
BFB0737					3-7/8				3.657	BFB1637					3-7/8				3.657																																																	
BFB0743					4-3/8				4.157	BFB1643					4-3/8				4.157																																																	
BFB0747					4-7/8				4.657	BFB1647					4-7/8				4.657																																																	
BFB0757					5-7/8				5.657	BFB1657					5-7/8				5.657																																																	
BFB0807	1"	1.0005	1.3755	1.552	7/8	.187	1.56	.187	0.657	BFB2007	2 1/2"	2.5005	3.2505	3.427	7/8	.187	1.56	.187	0.657																																																	
BFB0813					1-3/8				1.157	BFB2013					1-3/8				1.157																																																	
BFB0817					1-7/8				1.657	BFB2017					1-7/8				1.657																																																	
BFB0823					2-3/8				2.157	BFB2023					2-3/8				2.157																																																	
BFB0827					2-7/8				2.657	BFB2027					2-7/8				2.657																																																	
BFB0833					3-3/8				3.157	BFB2033					3-3/8				3.157																																																	
BFB0837					3-7/8				3.657	BFB2037					3-7/8				3.657																																																	
BFB0843					4-3/8				4.157	BFB2043					4-3/8				4.157																																																	
BFB0847					4-7/8				4.657	BFB2047					4-7/8				4.657																																																	
BFB0857					5-7/8				5.657	BFB2057					5-7/8				5.657																																																	
BFB1007	1 1/4"	1.2505	1.6255	1.802	7/8	.187	1.56	.187	0.657	BFB2437	3"	3.0005	3.7505	3.990	3/8	.500	1.56	.500	3.344																																																	
BFB1013					1-3/8				1.157	BFB2447					4-7/8				4.344																																																	
BFB1017					1-7/8				1.657	BFB2457					5-7/8				5.344																																																	
BFB1023					2-3/8				2.157	BFB2477					7-7/8				7.344																																																	
BFB1027					2-7/8				2.657	<h3>RETAINING RINGS - (OPTIONAL)</h3> <table border="1"> <thead> <tr> <th>PART NUMBER</th> <th>NOMINAL DIAMETER</th> <th>WIDTH</th> <th>FREE I.D.</th> </tr> </thead> <tbody> <tr><td>MSC100019</td><td>3/4</td><td>0.050</td><td>1.041</td></tr> <tr><td>MSC100020</td><td>7/8</td><td>0.050</td><td>1.156</td></tr> <tr><td>MSC100021</td><td>1</td><td>0.050</td><td>1.272</td></tr> <tr><td>MSC100022</td><td>1-1/4</td><td>0.062</td><td>1.503</td></tr> <tr><td>MSC100023</td><td>1-1/2</td><td>0.062</td><td>1.850</td></tr> <tr><td>MSC100024</td><td>2</td><td>0.078</td><td>2.313</td></tr> <tr><td>MSC100025</td><td>2-1/2</td><td>0.093</td><td>3.006</td></tr> <tr><td>MSC100026</td><td>3</td><td>0.109</td><td>3.468</td></tr> </tbody> </table>																PART NUMBER	NOMINAL DIAMETER	WIDTH	FREE I.D.	MSC100019	3/4	0.050	1.041	MSC100020	7/8	0.050	1.156	MSC100021	1	0.050	1.272	MSC100022	1-1/4	0.062	1.503	MSC100023	1-1/2	0.062	1.850	MSC100024	2	0.078	2.313	MSC100025	2-1/2	0.093	3.006	MSC100026	3	0.109	3.468							
PART NUMBER					NOMINAL DIAMETER				WIDTH																	FREE I.D.																																										
MSC100019					3/4				0.050																	1.041																																										
MSC100020					7/8				0.050																	1.156																																										
MSC100021					1				0.050																	1.272																																										
MSC100022					1-1/4				0.062																	1.503																																										
MSC100023	1-1/2	0.062	1.850																																																																	
MSC100024	2	0.078	2.313																																																																	
MSC100025	2-1/2	0.093	3.006																																																																	
MSC100026	3	0.109	3.468																																																																	
BFB1033	3-3/8	3.157																																																																		
BFB1037	3-7/8	3.657																																																																		
BFB1043	4-3/8	4.157																																																																		
BFB1047	4-7/8	4.657																																																																		
BFB1057	5-7/8	5.657																																																																		

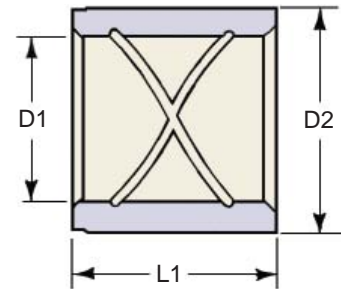
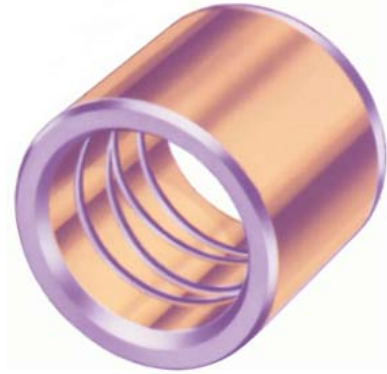
Retaining rings are used for slip fit applications.



# Lamina Components

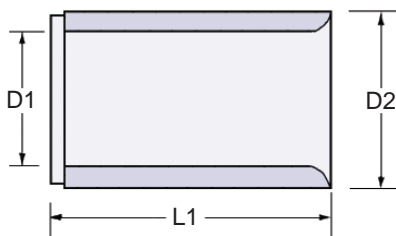
Bronze-plated bushings offer the lubricity of bronze and the strength of steel in one complete component.

STRAIGHT BUSHING - BRONZE PLATED - INCH				
PART NUMBER	Nom. I.D.	D1	D2	L1 LENGTH
		+0.0005	-0.0000	-.031 -.062
STB-06-07	3/4	.7505	1.1255	.875
STB-06-13				1.375
STB-07-13	7/8	.8755	1.2505	1.375
STB-08-13	1	1.0005	1.3755	1.375
STB-10-13	1-1/4	1.2505	1.6255	1.375
STB-10-17				1.875
STB-12-13	1-1/2	1.5005	2.0005	1.375
STB-12-17				1.875
STB-16-37	2	2.0005	2.5005	3.875
STB-20-47	2-1/2	2.5005	3.2505	4.875
STB-24-47	3	3.0005	3.7505	4.875



Bronze-plated and solid steel bushings should be lubricated with high-pressure lithium grease.

Solid steel bushings are economical in short run applications.



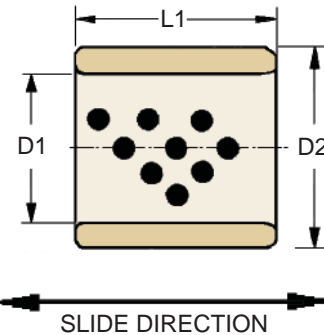
STRAIGHT BUSHINGS - SOLID STEEL - INCH				
PART NUMBER	Nom. I.D.	D1	D2	L1 LENGTH
		+0.0005	-0.0000	-.031 -.062
HSTB-06-07	3/4	.7505	1.1255	.875
HSTB-06-13				1.375
HSTB-07-13	7/8	.8755	1.2505	1.375
HSTB-08-13	1	1.0005	1.3755	1.375
HSTB-10-13	1-1/4	1.2505	1.6255	1.375
HSTB-10-17				1.875
HSTB-12-13	1-1/2	1.5005	2.0005	1.375
HSTB-12-17				1.875
HSTB-16-37	2	2.0005	2.5005	3.875
HSTB-20-47	2-1/2	2.5005	3.2505	4.875



# Lamina Components



STRAIGHT BUSHINGS SELF-LUBRICATING - INCH				
PART NUMBER	Nom. I.D.	D1 I.D.		L1 LENGTH
		+0.0005	-0.0000	
BGST0607	3/4	0.7505	1.1255	.875
BGST0611				1.375
BGST0612				1.500
BGST0710	7/8	0.8755	1.2505	1.250
BGST0711				1.375
BGST0712				1.500
BGST0810	1	1.0005	1.3755	1.250
BGST0811				1.375
BGST0812				1.500
BGST0814				1.750
BGST0816				2.000
BGST0824				3.000
BGST1010	1-1/4	1.2505	1.6255	1.250
BGST1011				1.375
BGST1012				1.500
BGST1014				1.750
BGST1015				1.875
BGST1016				2.000
BGST1024				3.000
BGST1210	1-1/2	1.5005	2.0005	1.250
BGST1211				1.375
BGST1212				1.500
BGST1214				1.750
BGST1215				1.875
BGST1216				2.000
BGST1224				3.000
BGST1410	1-3/4	1.7505	2.2505	1.250
BGST1412				1.500
BGST1414				1.750
BGST1416				2.000
BGST1420				2.500
BGST1424				3.000
BGST1428	3.500			
BGST1432				4.000
BGST1610	2	2.0005	2.5005	1.250
BGST1612				1.500
BGST1616				2.000
BGST1620				2.500
BGST1624				3.000
BGST1631				3.875
BGST1639				4.875
BGST1812	2-1/4	2.2505	2.7505	1.500
BGST1816				2.000
BGST1820				2.500
BGST1824				3.000
BGST2012	2-1/2	2.5005	3.2505	1.500
BGST2016				2.000
BGST2024				3.000
BGST2039				4.875
BGST2416				
BGST2420	3	3.005	3.7505	2.500
BGST2424				3.000
BGST2428				3.500
BGST2439				4.875



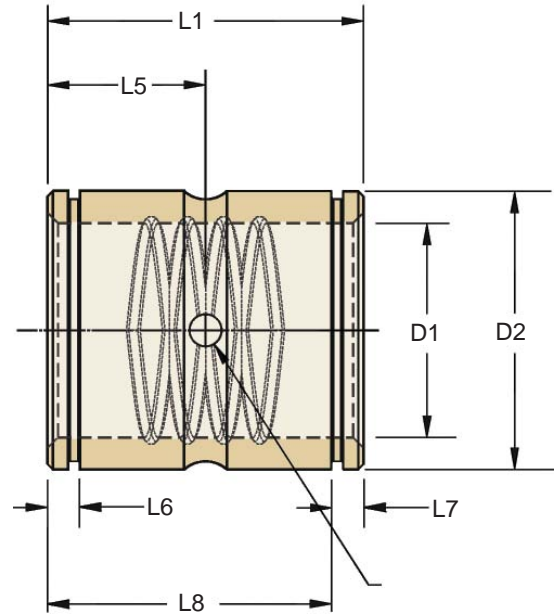
- Self-Lubricating
- Consistent quality control
- Resists abrasion
- Excellent wear characteristics

Oil-impregnated graphite plugs cover 20-30% of the wear surface, providing a self-lubricating film of graphite on the wear surface.

Lamina recommends using a light machine oil at the time of installation. Regular lubrication will enhance the life of self-lubricating bushings featuring oil-impregnated graphite plugs.

# Lamina Components

Solid bronze bushings are the first choice among many plastics injection molders.



STRAIGHT BUSHINGS - SOLID BRONZE - INCH								
PART NUMBER	Nom. I.D.	D1 I.D.	D2 O.D.	L1 LENGTH	L5	L6	L7	L8
		+0.0005	-0.0000	-0.031 -0.062	±0.010	±0.005	Ref.	±0.010
BSB0607	3/4	0.7500	1.1255	.875	0.92	.187	.187	0.657
BSB0613				1.375				1.157
BSB0617				1.875				1.357
BSB0713	7/8	0.8750	1.2505	1.375	0.67			1.157
BSB0813	1	1.0000	1.3755	1.375	0.67			1.157
BSB0817				1.875	0.92			1.357
BSB0827				2.875	1.42			2.657
BSB1013				1.375	0.67			1.157
BSB1017	1-1/4	1.2500	1.6255	1.875	0.92			1.657
BSB1027				2.875	1.42			2.657
BSB1213	1-1/2	1.5000	2.0005	1.375	0.67			1.157
BSB1217				1.875	0.92			1.657
BSB1227				2.875	1.42			2.657
BSB1637	2	2.0000	2.5005	3.875	1.92	3.657		
BSB2047	2-1/2	2.5000	3.2505	4.875	2.42	4.657		
BSB2447	3	3.0000	3.7505	4.875	2.42	.5	.5	4.344

Retaining rings are used for slip fit applications.

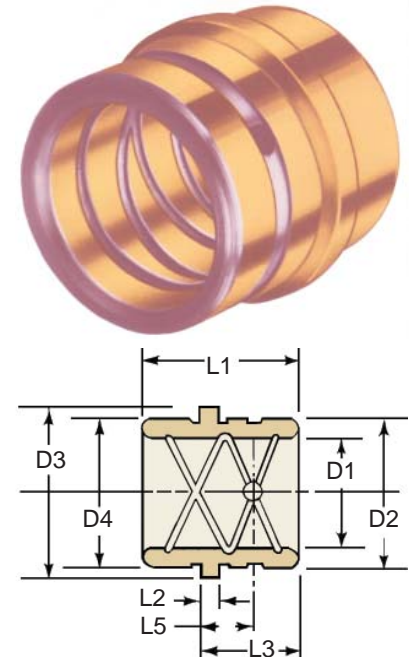


RETAINING RINGS - (OPTIONAL)			
PART NUMBER	NOMINAL DIAMETER	WIDTH	FREE I.D.
MSC100019	3/4	0.050	1.041
MSC100020	7/8	0.050	1.156
MSC100021	1	0.050	1.272
MSC100022	1-1/4	0.062	1.503
MSC100023	1-1/2	0.062	1.850
MSC100024	2	0.078	2.313
MSC100025	2-1/2	0.093	3.006
MSC100026	3	0.109	3.468



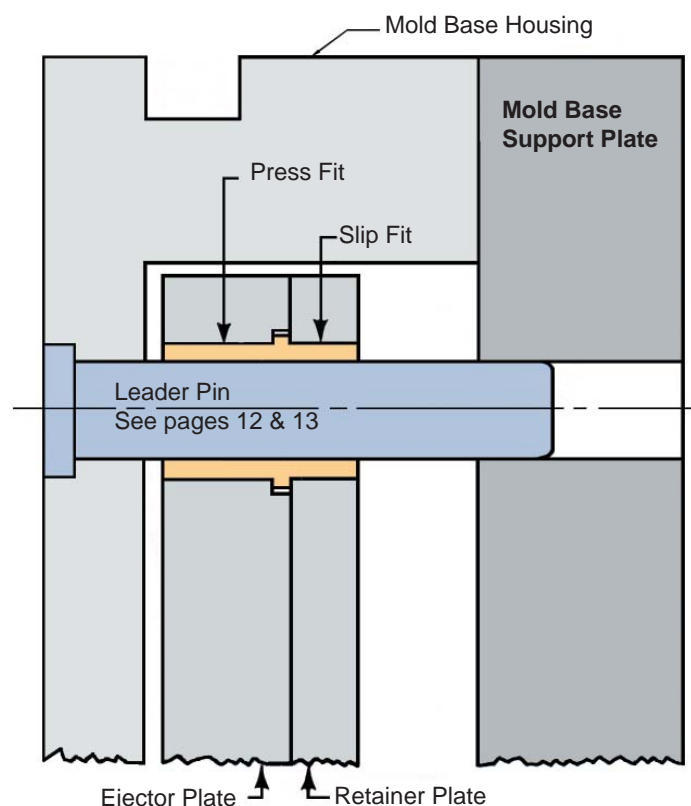
# Lamina Components

EJECTOR BUSHINGS - BRONZE-PLATED - INCH									
PART NUMBER	Nom I.D.	D1	D2	D3	D4	L1	L2	L3	L5
		+0.0005 -0.0000	+0.0005 -0.0000	+0.000 -0.010	+0.000 -0.001	+0.000 -0.030	+0.000 -0.005	+0.000 -0.015	±.005
ELB-750	3/4	.7510	1.1255	1.302	1.124	1.500	.187	1.000	.560
ELB-875	7/8	.8760	1.2505	1.427	1.249	1.500		1.000	.560
ELB-100	1	1.0010	1.3755	1.552	1.374	1.750		1.120	.620
ELB-125	1-1/4	1.2510	1.6255	1.802	1.624	1.750		1.120	.620
ELB-150	1-1/2	1.5010	2.0005	2.177	1.999	1.750		1.120	.620
ELB-200	2	2.0010	2.5005	2.687	2.499	2.250		1.620	.800
EJECTOR BUSHINGS - BRONZE-PLATED - METRIC									
PART NUMBER	Nom I.D.	D1	D2	D3	D4	L1	L2	L3	L5
		+0.013 -0.000	+0.013 -0.000	+0.00 -0.13	+0.000 -0.026	+0.00 -0.76	+0.00 -0.26	+0.00 -0.38	±0.13
EJM-20	20	20.063	26.013	28.00	26.00	37.00	5.00	25.00	15.00
EJM-25	25	25.063	32.013	35.00	32.00	45.00		29.00	16.00
EJM-30	30	30.063	38.013	41.00	38.00	45.00		29.00	16.00



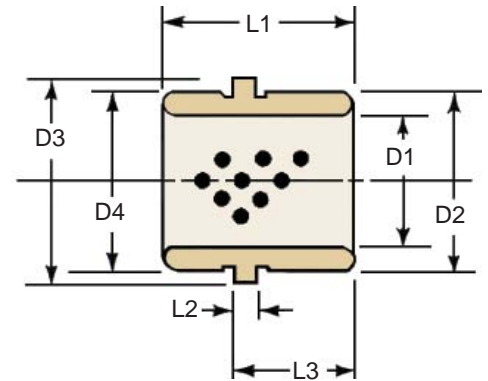
## FEATURES:

- Lubrication ring with lubrication hole
- Press-Fit Diameter ground to size
- Opposite end ground for ejector plate removal
- Lamina Bronze-plated I.D.
- Radii to serve as lead
- I.D. Oversize to accommodate expansion
- Plating thickness .004 - .005 per side



# Lamina Components

- Self Lubricating
- Consistent quality control
- Resists abrasion
- Excellent wear characteristics



## EJECTOR BUSHINGS - SELF LUBRICATING - INCH

PART NUMBER	Nom. I.D.	D1	D2	D3	D4	L1	L2	L3
		+0.005 -0.000	+0.005 -0.000	+0.00 -0.010	+0.00 -0.001	+0.00 -0.030	+0.00 -0.005	+0.00 -0.015
BGEL0612	3/4	0.7510	1.1255	1.302	1.124	1.50	.187	1.000
BGEL0712	7/8	0.8760	1.2505	1.427	1.249	1.50		1.000
BGEL0814	1	1.0010	1.3755	1.552	1.374	1.75		1.120
BGEL0816						2.00		1.620
BGEL1014	1-1/4	1.2510	1.6255	1.802	1.624	1.75		1.120
BGEL1020						2.50		1.870
BGEL1214	1-1/2	1.5010	2.0005	2.177	1.999	1.75		1.120
BGEL1220						2.50		1.870
BGEL1618	2	2.0010	2.5005	2.687	2.499	2.25		1.620

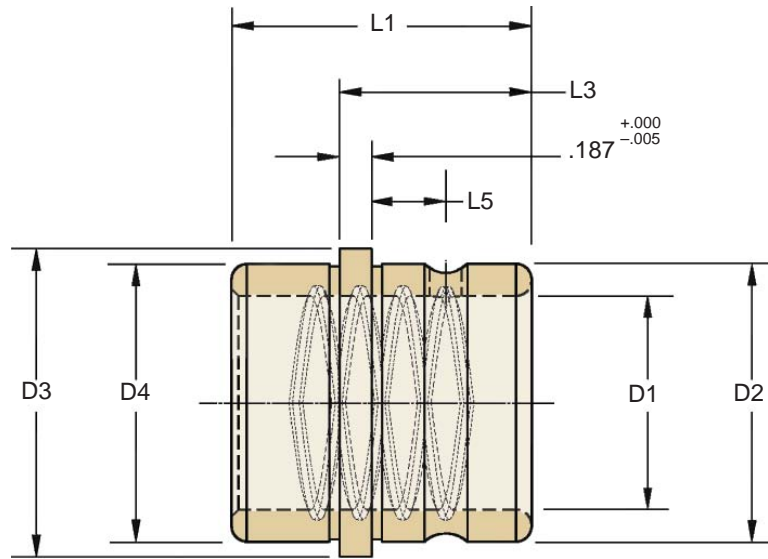
## EJECTOR BUSHINGS - SELF LUBRICATING - METRIC

PART NUMBER	Nom. I.D.	D1	D2	D3	D4	L1	L2	L3
		+0.013 -0.000	+0.013 -0.000	+0.00 -0.13	+0.000 -0.026	+0.00 -0.76	+0.00 -0.26	+0.00 -0.38
BGELM2037	20	20.063	26.013	28.00	26.00	37.00	5.00	25.00
BGELM2545	25	25.063	32.013	35.00	32.00	45.00		29.00
BGELM3045	30	30.063	38.013	41.00	38.00	45.00		29.00

Oil-impregnated graphite plugs cover 20-30% of the wear surface, providing a self-lubricating film of graphite on the wear surface.

# Lamina Components

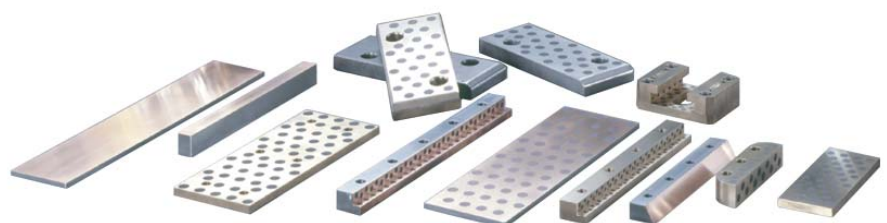
- Lubrication ring with lubrication hole
- Press-Fit Diameter ground to size
- Opposite end ground for ejector plate removal
- Radii to serve as lead
- I.D. Oversize to accomodate expansion



## EJECTOR BUSHINGS - SOLID BRONZE - INCH

PART NUMBER	Nom. I.D.	D1	D2	D3	D4	L1	L3	L5
		+0.0005 -0.0000	+0.0005 -0.0000	+0.000 -0.015	+0.000 -0.001	+0.000 -0.030	+0.000 -0.015	±.01
BEB0612	3/4	.7510	1.1255	1.302	1.124	1.500	1.000	.56
BEB0712	7/8	.8760	1.2505	1.427	1.249	1.500	1.000	.56
BEB0814	1	1.0010	1.3755	1.552	1.374	1.750	1.120	.62
BEB1014	1-1/4	1.2510	1.6255	1.802	1.624	1.750	1.120	.62
BEB1214	1-1/2	1.5010	2.0005	2.177	1.999	1.750	1.120	.62
BEB1618	2	2.0010	2.5005	2.687	2.499	2.250	1.620	.80

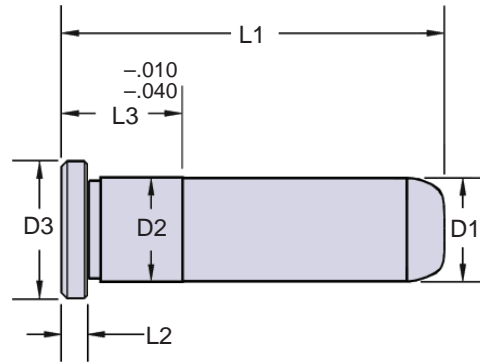
Lamina wear strips and gibs complement our line of round mold components. See our Flat Products Catalog.



 Anchor Lamina



# Lamina Components



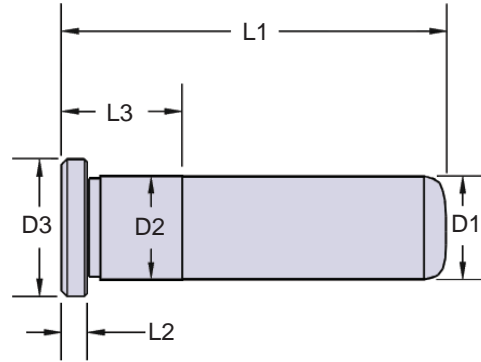
Not all pins are ground on centers.

GENERAL DIMENSIONS				
NOM. PIN DIA.	D1 +.0000 -.0005	D2 +.0005 -.0000	D3 +.000 -.010	L2 +.000 -.005
3/4	.7490	.7510	.990	.187
7/8	.8740	.8760	1.115	.250
1	.9990	1.0010	1.240	.250
1-1/4	1.2490	1.2510	1.490	.312
1-1/2	1.4990	1.5010	1.740	.312
2	1.9990	2.0010	2.240	.312
2-1/2	2.4990	2.5010	2.740	.312
3	2.9990	3.0010	3.365	.500

Precision-ground steel construction. Lamina has produced hundreds of thousands of these pins. No finer quality will be found anywhere.

LEADER PINS - INCH																	
L1 Overall Length	NOMINAL DIA. 3/4"		NOMINAL DIA. 7/8"		NOMINAL DIA. 1"		NOMINAL DIA. 1-1/4"		NOMINAL DIA. 1-1/2"		NOMINAL DIA. 2"		NOMINAL DIA. 2-1/2"		NOMINAL DIA. 3"		
	PART NUMBER	L3	PART NUMBER	L3	PART NUMBER	L3	PART NUMBER	L3	PART NUMBER	L3	PART NUMBER	L3	PART NUMBER	L3	PART NUMBER	L3	
1-3/4	06-16-LP	7/8	07-16-LP	7/8	08-16-LP	7/8											
2-1/4	06-22-LP	7/8	07-22-LP	7/8	08-22-LP	7/8											
2-3/4	06-26-LP	7/8	07-26-LP	7/8	08-26-LP	7/8	10-26-LP	7/8									
3-1/4	06-32-LP	7/8	07-32-LP	7/8	08-32-LP	7/8	10-32-LP	7/8									
3-3/4	06-36-LP	7/8	07-36-LP	7/8	08-36-LP	7/8	10-36-LP	7/8	12-36-LP	1-3/8							
4-1/4	06-42-LP	1-3/8	07-42-LP	1-3/8	08-42-LP	1-3/8	10-42-LP	7/8	12-42-LP	1-3/8							
4-3/4	06-46-LP	1-3/8	07-46-LP	1-3/8	08-46-LP	1-3/8	10-46-LP	1-3/8	12-46-LP	1-3/8							
5-1/4	06-52-LP	1-3/8	07-52-LP	1-3/8	08-52-LP	1-3/8	10-52-LP	1-3/8	12-52-LP	1-3/8							
5-3/4	06-56-LP	1-7/8	07-56-LP	1-3/8	08-56-LP	1-3/8	10-56-LP	1-3/8	12-56-LP	1-3/8	16-56-LP	1-7/8	20-56-LP	2-3/8			
6-1/4	06-62-LP	1-7/8	07-62-LP	1-7/8	08-62-LP	1-3/8	10-62-LP	1-3/8	12-62-LP	1-3/8							
6-3/4	06-66-LP	1-7/8	07-66-LP	1-7/8	08-66-LP	1-7/8	10-66-LP	1-7/8	12-66-LP	1-3/8	16-66-LP	1-7/8	20-66-LP	2-3/8			
7-1/4	06-72-LP	1-7/8	07-72-LP	1-7/8	08-72-LP	1-7/8	10-72-LP	1-7/8									
7-3/4	06-76-LP	1-7/8	07-76-LP	1-7/8	08-76-LP	1-7/8	10-76-LP	1-7/8	12-76-LP	1-7/8	16-76-LP	1-7/8	20-76-LP	2-3/8			
8-1/4			07-82-LP	1-7/8	08-82-LP	1-7/8	10-82-LP	1-7/8									
8-3/4			07-86-LP	1-7/8	08-86-LP	1-7/8	10-86-LP	1-7/8	12-86-LP	1-7/8	16-86-LP	1-7/8	20-86-LP	2-3/8	24-86-LP	2-7/8	
9-1/4	06-92-LP	1-7/8	07-92-LP	1-7/8	08-92-LP	1-7/8	10-92-LP	1-7/8									
9-3/4					08-96-LP	1-7/8	10-96-LP	1-7/8	12-96-LP	1-7/8	16-96-LP	1-7/8	20-96-LP	2-3/8			
10-1/4					08-102-LP	1-7/8	10-102-LP	1-7/8									
10-3/4			07-106-LP	1-7/8	08-106-LP	1-7/8	10-106-LP	1-7/8	12-106-LP	1-7/8	16-106-LP	1-7/8	20-106-LP	2-3/8	24-106LP	2-7/8	
11-1/4					08-112-LP	1-7/8	10-112-LP	1-7/8									
11-3/4					08-116-LP	1-7/8	10-116-LP	1-7/8	12-116-LP	1-7/8	16-116-LP	1-7/8	20-116-LP	2-3/8			
12-1/4			07-122-LP	1-7/8	08-122-LP	1-7/8	10-122-LP	1-7/8									
12-3/4							10-126-LP	1-7/8	12-126-LP	1-7/8	16-126-LP	1-7/8	20-126-LP	2-3/8	24-126-LP	2-7/8	
13-3/4							10-136-LP	1-7/8	12-136-LP	1-7/8	16-136-LP	1-7/8	20-136-LP	2-3/8			
14-3/4							10-146-LP	1-7/8	12-146-LP	1-7/8	16-146-LP	1-7/8	20-146-LP	2-3/8	24-146-LP	2-7/8	
15-3/4							10-156-LP	1-7/8	12-156-LP	1-7/8	16-156-LP	1-7/8	20-156-LP	2-3/8			
16-3/4											16-166-LP	2-3/8	20-166-LP	2-3/8	24-166-LP	2-7/8	
18-3/4											16-186-LP	2-3/8	20-186-LP	2-3/8	24-186-LP	2-7/8	

# Lamina Components



20mm through 60mm  
Not all pins are ground on centers.

GENERAL DIMENSIONS				
NOM. PIN DIA.	D1 +0.000 -0.013	D2 +0.013 -0.000	D3 +0.00 -0.26	L2 +0.00 -0.05
20	19.975	20.025	25.00	5.00
25	24.975	25.025	31.00	6.00
30	29.975	30.025	36.00	8.00
40	39.975	40.025	46.00	8.00
50	49.975	50.025	56.00	8.00
60	59.975	60.025	66.00	8.00


LEADER PINS - METRIC												
L1 Overall Length	NOMINAL DIA. 20mm		NOMINAL DIA. 25mm		NOMINAL DIA. 30mm		NOMINAL DIA. 40mm		NOMINAL DIA. 50mm		NOMINAL DIA. 60mm	
	PART NUMBER	L3	PART NUMBER	L3	PART NUMBER	L3	PART NUMBER	L3	PART NUMBER	L3	PART NUMBER	L3
50mm	MLP-20-x-50	25mm	MLP-25-x-50	25mm								
60mm	MLP-20-x-60	25mm	MLP-25-x-60	25mm								
70mm	MLP-20-x-70	25mm	MLP-25-x-70	25mm	MLP-30-x-70	25mm						
80mm	MLP-20-x-80	25mm	MLP-25-x-80	25mm	MLP-30-x-80	25mm						
90mm	MLP-20-x-90	25mm	MLP-25-x-90	25mm	MLP-30-x-90	25mm	MLP-40-x-90	35mm				
100mm	MLP-20-x-100	25mm	MLP-25-x-100	25mm	MLP-30-x-100	25mm	MLP-40-x-100	35mm				
120mm	MLP-20-x-120	35mm	MLP-25-x-120	35mm	MLP-30-x-120	35mm	MLP-40-x-120	35mm				
140mm	MLP-20-x-140	35mm	MLP-25-x-140	35mm	MLP-30-x-140	35mm	MLP-40-x-140	35mm				
150mm									MLP-50-x-150	45mm	MLP-60-x-150	60mm
160mm	MLP-20-x-160	45mm	MLP-25-x-160	35mm	MLP-30-x-160	35mm	MLP-40-x-160	35mm				
175mm									MLP-50-x-175	45mm	MLP-60-x-175	60mm
180mm	MLP-20-x-180	45mm	MLP-25-x-180	45mm	MLP-30-x-180	45mm	MLP-40-x-180	45mm				
200mm	MLP-20-x-200	45mm	MLP-25-x-200	45mm	MLP-30-x-200	45mm	MLP-40-x-200	45mm	MLP-50-x-200	45mm	MLP-60-x-200	60mm
220mm	MLP-20-x-220	45mm	MLP-25-x-220	45mm	MLP-30-x-220	45mm	MLP-40-x-220	45mm				
225mm									MLP-50-x-225	45mm	MLP-60-x-225	60mm
240mm	MLP-20-x-240	45mm	MLP-25-x-240	45mm	MLP-30-x-240	45mm	MLP-40-x-240	45mm				
250mm									MLP-50-x-250	45mm	MLP-60-x-250	60mm
260mm			MLP-25-x-260	45mm	MLP-30-x-260	45mm	MLP-40-x-260	45mm				
275mm									MLP-50-x-275	45mm	MLP-60-x-275	60mm
280mm			MLP-25-x-280	45mm	MLP-30-x-280	45mm	MLP-40-x-280	45mm				
300mm			MLP-25-x-300	45mm	MLP-30-x-300	45mm	MLP-40-x-300	45mm	MLP-50-x-300	45mm	MLP-60-x-300	60mm
325mm									MLP-50-x-325	45mm	MLP-60-x-325	60mm
350mm									MLP-50-x-350	45mm	MLP-60-x-350	60mm
375mm									MLP-50-x-375	45mm	MLP-60-x-375	60mm
400mm									MLP-50-x-400	45mm	MLP-60-x-400	60mm

# Lamina Components

CONVERSION TABLES											
INCHES TO MILLIMETERS .03937" = 1mm											
Inches		mm		Inches		mm		Inches		mm	
0.001	0.0254	11/64	0.1718	4.3660	0.4600	11.684	3/4	0.7500	19.050		
0.002	0.0508	3/16	0.1875	4.7630	15/32	0.4687	49/64	1.7656	19.447		
0.003	0.0762		0.1900	4.8260	31/64	0.4843		0.7700	19.558		
0.004	0.1016	13/64	0.2031	5.1590		0.4900	25/32	0.7810	19.844		
0.005	0.1270	7/32	0.2187	5.5560	1/2	0.5000	51/64	0.7968	20.241		
0.006	0.1524	15/64	0.2343	5.9630		0.5100		0.8000	20.320		
0.007	0.1778		0.2400	6.0960	33/64	0.5156	13/16	0.8125	20.638		
0.008	0.2032		0.250	6.3500		0.5200		0.8200	20.828		
0.009	0.2286	17/64	0.2656	6.7470	17/32	0.5312	53/64	0.8280	21.034		
0.010	0.2540		0.2700	6.8580		0.5400		0.8400	21.336		
1/64	0.0156	9/32	0.2812	7.1440	35/64	0.5460	27/32	0.8437	21.431		
	0.020		0.290	7.3660	9/16	0.5625		0.8500	21.590		
	0.030	19/64	0.2968	7.5410	37/64	0.5780	55/64	0.8594	21.828		
1/32	0.0312	5/16	0.3125	7.9380	19/32	0.5937		0.8700	22.098		
	0.040		0.3200	8.1280		0.6000	7/8	0.8750	22.225		
3/64	0.0469	21/64	0.3280	8.3340	39/64	0.6090		0.8800	22.352		
	0.050	11/32	0.3437	8.7310		0.6200		0.8900	22.606		
	0.060		0.350	8.8900	5/8	0.6250	57/64	0.8906	22.622		
1/16	0.0625	23/64	0.3590	9.1280		0.6300		0.9000	22.860		
	0.070		0.3600	9.1440		0.6400	29/32	0.9060	23.019		
5/64	0.0781		0.3700	9.3980	41/64	0.6406	59/64	0.9218	23.416		
	0.080	3/8	0.3750	9.5250		0.6500		0.9300	23.622		
	0.090		0.3800	9.6520	21/32	0.6560	15/16	0.9375	23.813		
3/32	0.094		0.3900	9.9060	43/64	0.6718		0.9500	24.130		
	0.100	25/64	0.3906	9.9220		0.6800	61/64	0.9530	24.209		
7/64	0.1093		0.4000	10.1600	11/16	0.6875		0.9600	24.384		
	0.120	13/32	0.4062	10.3190	45/64	0.7030	31/32	0.9687	24.606		
1/8	0.125	27/64	0.4218	10.7160		0.7100		0.9800	24.892		
9/64	0.1406	7/16	0.4375	11.1130	23/32	0.7187	63/64	0.9843	25.003		
	0.150		0.4500	11.4300		0.7300		0.9900	25.146		
5/32	0.1562	29/64	0.4530	11.5090	47/64	0.7343		1.0000	25.400		
MILLIMETERS TO INCHES .03937" = 1mm											
mm		Inches		mm		Inches		mm		Inches	
1	0.03937	26	1.02362	51	2.00787	76	2.99213				
2	0.07874	27	1.06299	52	2.04724	77	3.03150				
3	0.11811	28	1.10236	53	2.08661	78	3.07087				
4	0.15748	29	1.14173	54	2.12598	79	3.11024				
5	0.19685	30	1.18110	55	2.16535	80	3.14961				
6	0.23622	31	1.22047	56	2.20472	81	3.18898				
7	0.27559	32	1.25984	57	2.24409	82	3.22835				
8	0.31496	33	1.29921	58	2.28346	83	3.26772				
9	0.35433	34	1.33858	59	2.32283	84	3.30709				
10	0.39370	35	1.37795	60	2.36220	85	3.34646				
11	0.43307	36	1.41732	61	2.40157	86	3.38583				
12	0.47244	37	1.45669	62	2.44094	87	3.42520				
13	0.51181	38	1.49606	63	2.48031	88	3.46457				
14	0.55118	39	1.53543	64	2.51969	89	3.50394				
15	0.59055	40	1.57480	65	2.55906	90	3.54331				
16	0.62992	41	1.61417	66	2.59843	91	3.58268				
17	0.66929	42	1.65354	67	2.63780	92	3.62205				
18	0.70866	43	1.69291	68	2.67717	93	3.66142				
19	0.74803	44	1.73228	69	2.71654	94	3.70079				
20	0.78740	45	1.77165	70	2.75591	95	3.74016				
21	0.82677	46	1.81102	71	2.79528	96	3.77953				
22	0.86614	47	1.85039	72	2.83465	97	3.81890				
23	0.90551	48	1.88976	73	2.87402	98	3.85827				
24	0.94488	49	1.92913	74	2.91339	99	3.89764				
25	0.98425	50	1.96850	75	2.95276	100	3.93701				



# Lamina Components

ANCHOR DIE SETS	LAMINA COMPONENTS	RELIANCE FABRICATIONS
<p><b>PLAIN BEARING DIE SETS</b>  <b>BALL-BEARING DIE SETS</b>  <b>CAST DIE SETS</b>  <b>EJECTOR BOXES</b>  <b>PLATES</b> 1020, 1045 &amp; 4140            Adaptor Plates            Bolster Plates            Steel cut &amp; ground</p> <p><b>SERVICES</b>            CNC Machining            Blanchard Grinding            Stress Relieving            Die Set Repair</p> <p><b>KALLER® GAS SPRINGS</b>  <b>ACCU-BEND™</b>  <b>IN-DIE TAPPING</b>            Mechanical            Hydraulic</p>	<p><b>ROUND &amp; FLAT SPECIALS</b>  <b>SPRINGS</b>            DIEMAX™ L INCH SERIES            UTILITY            MARSH MELLOW®            FORMATHANE® URETHANE            DISC            STOCK LIFTERS</p> <p><b>CAMS</b>            AERIAL            DIEMOUNT            ROLLER            BOX &amp; MINI</p> <p><b>MOLD COMPONENTS</b>  <b>BUSHINGS</b>            Bronze Plated            Self-Lubricating  <b>LEADER PINS</b>  <b>GIB ASSEMBLIES</b>  <b>WEAR STRIPS &amp; WAYS</b>            Bronze-Plated            Bronze</p> <p><b>SPECIAL-MACHINE COMPONENTS</b>  <b>MACHINERY BUSHINGS</b></p> <p>NAAMS, JIS &amp; VDI standard components.</p>	<p><b>CUSTOM FABRICATIONS</b>  <b>ROBOTIC PRODUCTION</b>  <b>WELDING CAPABILITIES</b>  <b>FLAME CUTTING AND</b>  <b>BLANCHARD GRINDING</b>            of 1020, 1045 &amp; 4140 Steel  <b>ALUMINUM &amp; STEEL</b>  <b>FIXTURE BASES</b></p>
<p><b>LAMINA COMPONENTS</b></p> <p><b>GUIDE ELEMENTS</b>  <b>BUSHINGS</b>            Ball-Bearing            Stripper            Bronze Plated            Self-Lubricating</p> <p><b>GUIDE POSTS</b>            Plain Bearing            Ball-Bearing            Stripper</p> <p><b>WEAR PRODUCTS</b>            Center Keys &amp; Guides            Gibs            Guide &amp; Keeper Blocks            U &amp; V Blocks            Wear Plates &amp; Strips</p> <p><b>SPOOL-TYPE PAD RETAINERS</b></p>	<p><b>LAMINA HYDRAULICS</b></p> <p><b>ELECTRONIC DIE SETTERS</b>  <b>DIE SEPARATORS</b>  <b>DRILL &amp; TAP EQUIPMENT</b>  <b>HYDRAULIC MOTORS</b></p> <p> The Anchor Danly Company</p>	<p><b>Look for us at these locations:</b></p> <p><b>Anchor Die Sets</b></p> <p><b>Windsor, ON</b> 800-265-5007</p> <p><b>Cambridge, ON</b> 800-265-7842</p> <p><b>Montreal, QC</b> 800-263-5560</p> <p><b>Detroit, MI</b> 800-543-3790</p> <p><b>Grand Rapids, MI</b> 888-526-2467</p> <p><b>Lamina Components</b>  <b>Farmington Hills, MI</b> 800-652-6462</p> <p><b>Reliance Fabrications</b>  <b>Tilbury, ON</b> 800-265-5295</p> <p><b>Anchor Lamina GmbH</b>  <b>Chemnitz, Gruna, Germany</b> 49-0371-842450</p>



## Committed to Quality & Customer Satisfaction

Anchor Lamina is committed to be the “customer focused” world-class supplier of choice to the metal-working and plastics forming industry.

We will help our customers to compete globally by providing innovative and value added products and services.

## Distributed by:



### Lamina Components

38505 Country Club Drive, Suite 100

Farmington Hills, MI USA 48331

Tel: 248-489-9122, 800-652-6462

Fax: 248-553-6842, 800-406-4410

E-Mail: sales@lamina.com

[www.anchorlamina.com](http://www.anchorlamina.com)



The Anchor Danly Company



012-2 02/11

