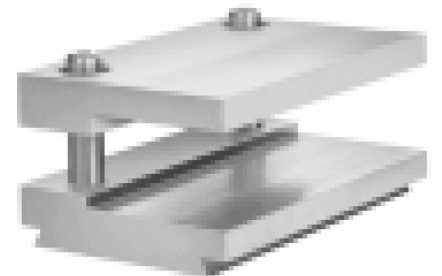
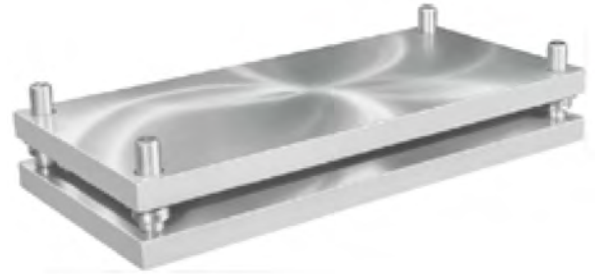


DIESETS

AVAILABLE FOR

IMMEDIATE SHIPMENT!



Two Posts & Four Posts!
Plain Bearing & Ball Bearing!
Replacement Components for ALL Brands of Die Sets!



H & O DIE SUPPLY, INC.
PRECISION FABRICATING MACHINERY

7200 Interstate 20 • Kennedale, TX 76060

Kennedale (214) 630-6660 • Toll Free 1-800-222-5441 • Fax (214) 630-6693

Email: sales@hodie.com • Web Site: www.hodie.com

PLAIN BEARING DIE SETS STOCKED IN DALLAS

To be of better value to our customers, we keep in stock, **OVER 300** Two Rear-Post (Style 25) PLAIN BEARING die sets with Bronze-Rite bushings.



QUICK-SHIP DELIVERY FROM  STOCK

STYLE 25 – TWO POST PLAIN (FRICTION) BEARING DIE SETS

H & O PART #	L TO R (OAL)	F TO B (OAL)	P.H. (TH)	D.S. (TH)	PIN DIA.	WORKING AREA (IN FRONT OF POSTS)
ELT0604	6.000"	6.250"	1-1/4"	1-1/2"	1"	6.000" x 4.000"
ELT0606	6.000"	8.000"	1-1/2"	1-1/2"	1"	6.000" x 6.000"
ELT0806	8.000"	8.000"	1-1/4"	1-1/2"	1"	8.000" x 6.000"
ELT0808	8.000"	10.000"	1-1/4"	1-1/2"	1"	8.000" x 8.000"
ELT1006	10.000"	8.000"	1-1/2"	1-1/2"	1"	10.000" x 6.000"
ELT1008	10.000"	10.000"	1-1/2"	1-1/2"	1-1/4"	10.000" x 7.750"
ELT1010	10.000"	12.000"	1-1/2"	1-1/2"	1-1/4"	10.000" x 9.750"
ELT1206	12.000"	8.000"	1-1/2"	1-1/2"	1-1/4"	12.000" x 5.750"
ELT1208	12.000"	10.000"	1-1/2"	1-1/2"	1-1/4"	12.000" x 7.750"
ELT1210	12.000"	12.000"	1-3/4"	1-3/4"	1-1/4"	12.000" x 9.750"
ELT1406	14.000"	8.000"	1-1/2"	1-1/2"	1-1/4"	14.000" x 5.750"
ELT1408	14.000"	10.000"	1-1/2"	1-1/2"	1-1/4"	14.000" x 7.750"
ELT1412	14.000"	14.000"	1-3/4"	1-3/4"	1-1/2"	14.000" x 11.500"
ELT1606	16.000"	8.000"	1-1/2"	1-1/2"	1-1/4"	16.000" x 5.750"
ELT1608	16.000"	10.000"	1-1/2"	1-1/2"	1-1/4"	16.000" x 7.750"
ELT1610	16.000"	12.000"	2"	2"	1-1/2"	16.000" x 9.500"
ELT1614	16.000"	16.000"	2"	2"	1-1/2"	16.000" x 13.500"
ELT1806	18.000"	8.000"	1-1/2"	1-1/2"	1-1/2"	18.000" x 5.500"
ELT1808	18.000"	10.000"	1-1/2"	1-1/2"	1-1/2"	18.000" x 7.500"
ELT1816	18.000"	18.000"	2"	2"	1-1/2"	18.000" x 15.500"
ELT2012	20.000"	14.000"	2"	2"	1-1/2"	20.000" x 11.500"
ELT2608	26.000"	10.000"	2"	2"	1-1/2"	26.000" x 7.500"
ELT2612	26.000"	14.000"	2"	2"	1-1/2"	26.000" x 11.500"

** When ordering, please specify H&O part number and pin length.



H & O DIE SUPPLY, INC.
PRECISION FABRICATING MACHINERY

7200 Interstate 20 • Kennedale, TX 76060

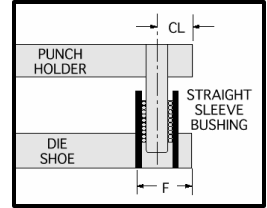
Kennedale (214) 630-6660 • Toll Free 1-800-222-5441 • Fax (214) 630-6693

Email: sales@hodie.com • Web Site: www.hodie.com

BALL BEARING DIE SETS STOCKED IN DALLAS

STYLE 25 – TWO POST BALL BEARING DIE SETS

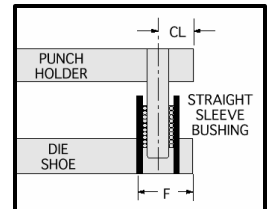
H&O Style 25 Stock Die Sets are available in a two -pin back post design. These die sets are also offered in a wide choice of work area dimensions, punch holder and die shoe thicknesses, guide pin and bushing options.



H & O PART	OVERALL		THICKNESS		GUIDE PIN	WORKING AREA		'F'	'CL'
	LENGTH	DEPTH	PH	DS		F-B	L-R		
EBT0606	6.000"	8.000"	1 1/2"	1 1/2"	1"	5.64	6.000"	2.36"	1 1/2"
EBT0806	8.000"	8.000"	1 1/2"	1 1/2"	1"	5.64	8.000"	2.36"	1 1/2"
EBT0808	8.000"	10.000"	1 1/2"	1 1/2"	1"	7.64	8.000"	2.36"	1 1/2"
EBT1006	10.000"	8.000"	1 1/2"	1 1/2"	1"	5.64	10.000"	2.36"	1 1/2"
EBT1008	10.000"	10.000"	1 1/2"	1 1/2"	1 1/4"	7.19	10.000"	2.81"	1 3/4"
EBT1208	12.000"	10.000"	1 1/2"	1 1/2"	1 1/4"	7.19	12.000"	2.81"	1 3/4"
EBT1408	14.000"	10.000"	1 1/2"	1 1/2"	1 1/4"	7.19	14.000"	2.81"	1 3/4"
EBT1410	14.000"	12.000"	1 3/4"	1 3/4"	1 1/2"	8.78	14.000"	3.22"	2"
EBT1608	16.000"	10.000"	1 1/2"	1 1/2"	1 1/4"	7.19	16.000"	2.81"	1 3/4"
EBT1612	16.000"	14.000"	1 3/4"	1 3/4"	1 1/2"	10.78	16.000"	3.22"	2"
EBT1808	18.000"	10.000"	1 1/2"	1 1/2"	1 1/2"	6.78	18.000"	3.22"	2"
EBT1816	18.000"	18.000"	2"	2"	1 1/2"	14.78	18.000"	3.22"	2"
EBT2010	20.000"	12.000"	2"	2"	1 1/2"	8.78	20.000"	3.22"	2"
EBT2210	22.000"	12.000"	2"	2"	1 1/2"	8.78	22.000"	3.22"	2"
EBT2610	26.000"	12.000"	2"	2"	1 1/2"	8.78	26.000"	3.22"	2"

STYLE 75 – FOUR POST BALL BEARING DIE SETS

H&O Style 75 Stock Die Sets are available in a four -pin design. These die sets are also offered in a wide choice of work area dimensions, punch holder and die shoe thicknesses, guide pin and bushing options.



H & O PART	OVERALL		THICKNESS		GUIDE PIN	WORKING AREA		'F'	'CL'
	LENGTH	DEPTH	PH	DS		F-B	L-R		
EBF1414	14.000"	14.000"	1 1/2"	1 1/2"	1 1/2"	7.56	7.56	3.22"	2"
EBF1616	16.000"	16.000"	1 3/4"	1 3/4"	1 1/2"	9.56	9.56	3.22"	2"
EBF1818	18.000"	18.000"	1 3/4"	1 3/4"	1 1/2"	11.56	11.56	3.22"	2"
EBF2020	20.000"	20.000"	1 3/4"	1 3/4"	1 1/2"	13.56	13.56	3.22"	2"
EBF2410	24.000"	10.000"	2"	2"	1 1/2"	3.56	17.56	3.22"	2"
EBF2414	24.000"	14.000"	2"	2"	1 1/2"	7.56	17.56	3.22"	2"
EBF2418	24.000"	18.000"	2"	2"	1 1/2"	11.56	17.56	3.22"	2"
EBF2616	26.000"	16.000"	2"	2"	1 1/2"	9.56	19.56	3.22"	2"
EBF2818	28.000"	18.000"	2"	2"	1 1/2"	11.56	21.56	3.22"	2"

** When ordering, please use the H&O part number and specify pin & sleeve length.



H & O DIE SUPPLY, INC.

PRECISION FABRICATING MACHINERY

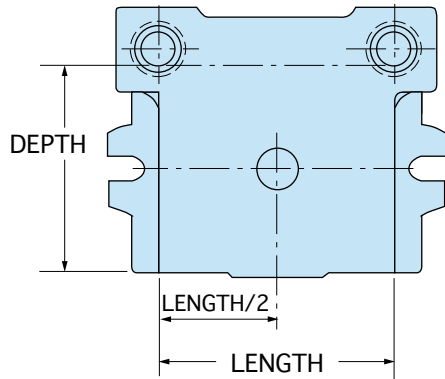
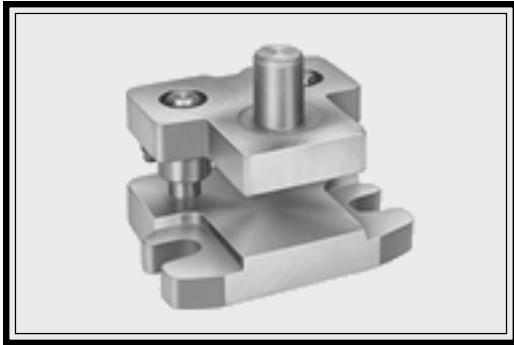
7200 Interstate 20 • Kennedale, TX 76060

Kennedale (214) 630-6660 • Toll Free 1-800-222-5441 • Fax (214) 630-6693

Email: sales@hodie.com • Web Site: www.hodie.com

Stock Die Sets

*Over 300 Die Sets
Available for Immediate
Shipment from
Wisconsin & Texas!*



STYLE 20B DIE SETS STOCKED IN WISCONSIN

Style 20B Stock Die Sets are available in a wide range of work area dimensions, punch holder and die shoe thicknesses, guide pin and bushing options. Style 20B Stock Die Sets are available with only bolt slot flanges and welded shanks in either 1 1/2" (A) or 1-9/16" (B) diameters.

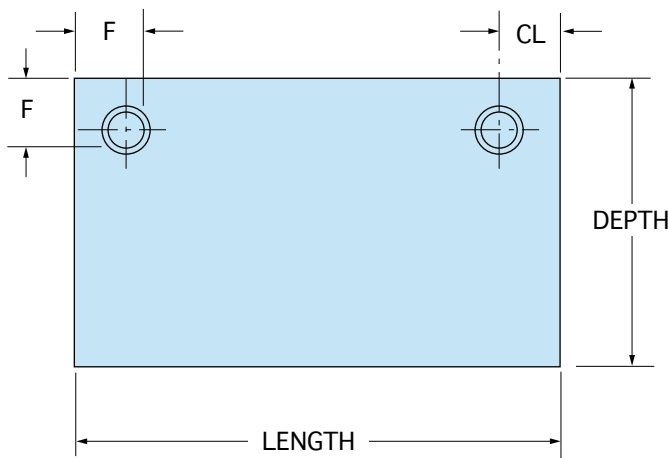
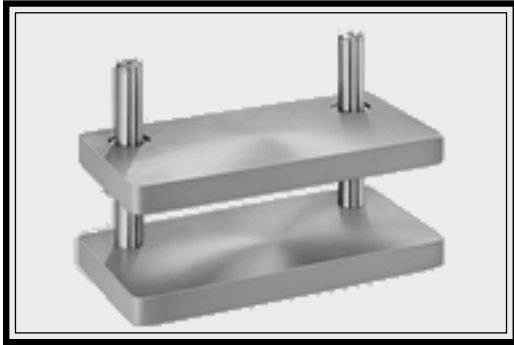
WHEN ORDERING PLEASE SPECIFY:

1. Quantity
2. Catalog Number
3. Pin Length
4. Bushing Length (Stock Die Sets are furnished with 2" Shoulder Length (2" Sticking Out), Bronze-Rite Bushings unless otherwise specified.)

WORK AREA		THICKNESS		PIN DIA	CATALOG NUMBER
DEPTH	LENGTH	PH	DS		
4	4	1 1/4	1 1/2	1	S1-0404A12
4	4	1 1/4	1 1/2	1	S1-0404B12
4	5	1 1/4	1 1/2	1	S1-0405A12
4	6	1 1/4	1 1/2	1	S1-0406A12
4	8	1 1/4	1 1/2	1	S1-0408A12
5	5	1 1/4	1 1/2	1	S1-0505A12
5	5	1 1/4	1 1/2	1	S1-0505B12
5	6	1 1/4	1 1/2	1	S1-0506A12
5	7	1 1/4	1 1/2	1	S1-0507A12
5	10	1 1/2	1 1/2	1 1/4	S1-0510A22
6	6	1 1/4	1 1/2	1	S1-0606A12
6	6	1 1/4	1 3/4	1	S1-0606A13
6	6	1 1/2	1 1/2	1	S1-0606A22
6	6	1 1/2	1 3/4	1	S1-0606A23
6	6	1 1/4	1 1/2	1	S1-0606B12
6	6	1 1/4	1 3/4	1	S1-0606B13
6	6	1 1/2	1 1/2	1	S1-0606B22
6	6	1 1/2	1 3/4	1	S1-0606B23
6	8	1 1/4	1 1/2	1 1/4	S1-0608A12
6	12	1 1/4	1 1/2	1 1/4	S1-0612A12

WORK AREA		THICKNESS		PIN DIA	CATALOG NUMBER
DEPTH	LENGTH	PH	DS		
7	7	1 1/4	1 1/2	1 1/4	S1-0707A12
7	10	1 1/4	1 1/2	1 1/4	S1-0710A12
8	8	1 1/4	1 1/2	1 1/4	S1-0808A12
8	8	1 1/4	1 3/4	1 1/4	S1-0808A13
8	8	1 1/2	1 1/2	1 1/4	S1-0808A22
8	8	1 1/2	1 3/4	1 1/4	S1-0808A23
8	8	1 1/4	1 1/2	1 1/4	S1-0808B12
8	8	1 1/4	1 3/4	1 1/4	S1-0808B13
8	8	1 1/2	1 1/2	1 1/4	S1-0808B22
8	8	1 1/2	1 3/4	1 1/4	S1-0808B23
10	10	1 1/4	1 1/2	1 1/4	S1-1010A12
10	10	1 1/4	1 3/4	1 1/4	S1-1010A13
10	10	1 1/2	1 1/2	1 1/4	S1-1010A22
10	10	1 1/2	1 3/4	1 1/4	S1-1010A23
10	10	1 1/4	1 1/2	1 1/4	S1-1010B12
10	10	1 1/4	1 3/4	1 1/4	S1-1010B13
10	10	1 1/2	1 1/2	1 1/4	S1-1010B22
10	10	1 1/2	1 3/4	1 1/4	S1-1010B23

STYLE 25 STOCK DIE SETS



STYLE 25 DIE SETS STOCKED IN WISCONSIN*

Style 25 Stock Die Sets are available in a two pin back post design. These die sets are also offered in a wide choice of work area dimensions, punch holder and die shoe thicknesses, guide pin and bushing options. Style 25 Stock Die Sets are furnished without a shank.

*** Items in BOLD are stocked at H&O in Dallas, Texas**

WHEN ORDERING PLEASE SPECIFY:

1. Quantity
2. Catalog Number
3. Pin Length
4. Bushing Length (Stock Die Sets are furnished with 2" Shoulder Length (2" Sticking Out), Bronze-Rite Bushings unless otherwise specified.)

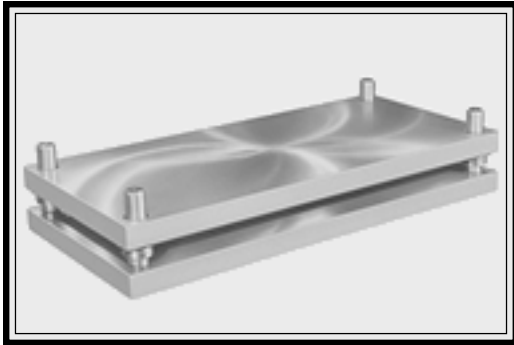


OVERALL		THICKNESS		PIN DIA	CATALOG NUMBER
DEPTH	LENGTH	PH	DS		
8	8	1 1/4	1 1/4	1 1/4	S2-0808-11
8	8	1 1/4	1 1/2	1	ELT0806*
8	8	1 1/2	1 1/4	1 1/4	S2-0808-21
8	8	1 1/2	1 1/2	1 1/4	S2-0808-22
8	10	1 1/4	1 1/4	1 1/4	S2-0810-11
8	10	1 1/4	1 1/2	1 1/4	S2-0810-12
8	10	1 1/4	1 3/4	1 1/4	S2-0810-13
8	10	1 1/2	1 1/4	1 1/4	S2-0810-21
8	10	1 1/2	1 1/2	1	ELT1006*
8	10	1 1/2	1 3/4	1 1/4	S2-0810-23
8	12	1 1/2	1 1/2	1 1/2	S2-0812-22
10	10	1 1/4	1 1/2	1 1/4	S2-1010-12
10	10	1 1/4	1 3/4	1 1/4	S2-1010-13
10	10	1 1/2	1 1/2	1 1/4	ELT1008*
10	10	1 1/2	1 3/4	1 1/4	S2-1010-23
10	12	1 1/4	1 1/2	1 1/2	S2-1012-12
10	12	1 1/4	1 3/4	1 1/2	S2-1012-13
10	12	1 1/2	1 1/2	1 1/4	ELT1208*
10	12	1 1/2	1 3/4	1 1/2	S2-1012-23
10	12	1 3/4	1 1/2	1 1/2	S2-1012-32
10	12	1 3/4	1 3/4	1 1/2	S2-1012-33

OVERALL		THICKNESS		PIN DIA	CATALOG NUMBER
DEPTH	LENGTH	PH	DS		
10	14	1 1/2	1 1/2	1 1/4	ELT1408*
10	16	1 1/2	1 1/2	1 1/4	ELT1608*
12	12	1 1/2	1 1/2	1 1/2	S2-1212-22
12	12	1 1/2	1 3/4	1 1/2	S2-1212-23
12	12	1 1/2	2	1 1/2	S2-1212-24
12	12	1 3/4	1 1/2	1 1/2	S2-1212-32
12	12	1 3/4	1 3/4	1 1/4	ELT1210*
12	12	1 3/4	2	1 1/2	S2-1212-34
12	12	2	1 1/2	1 1/2	S2-1212-42
12	12	2	1 3/4	1 1/2	S2-1212-43
12	12	2	2	1 1/2	S2-1212-44
12	14	1 1/2	1 1/2	1 1/2	S2-1214-22
12	16	2	2	1 1/2	ELT1610*
8	10	1 1/4	1 1/2	1 1/4	S2F0810-12
8	10	1 1/2	1 1/2	1 1/4	S2F0810-22
10	10	1 1/4	1 1/2	1 1/4	S2F1010-12
10	10	1 1/2	1 1/2	1 1/4	S2F1010-22
10	12	1 1/2	1 1/2	1 1/2	S2F1012-22
12	12	1 1/2	1 1/2	1 1/2	S2F1212-22
12	14	1 1/2	1 1/2	1 1/2	S2F1214-22
12	14	1 1/2	1 3/4	1 1/2	S2F1214-23

These sizes manufactured from Fortal®

STYLE 75 STOCK DIE SETS

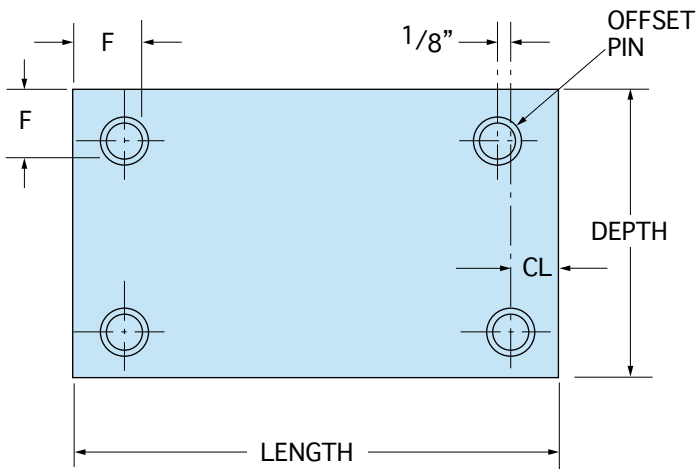


STYLE 75 DIE SETS STOCKED IN WISCONSIN

Style 75 Stock Die Sets are four pin sets designed for applications where multi-directional or unequal tooling forces are generated by a non-symmetrical die shape or heavy stock. The four pin arrangement provides maximum resistance to side thrust and misalignment. On Style 75 Stock Die Sets, the right rear pin is offset 1/8" to left direction to prevent reversing of the punch holder during assembly. Left to right feed (System LR) bushing clamp location is standard on Style 75 Stock Die Sets. Style 75 Stock Die Sets are furnished without a shank.

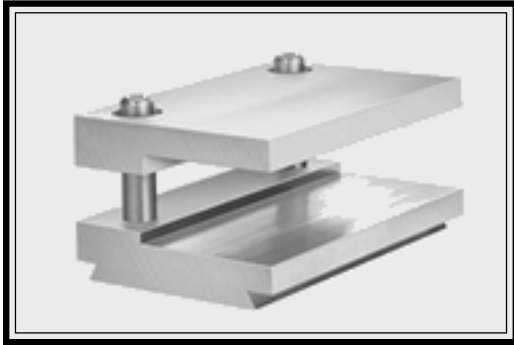
WHEN ORDERING PLEASE SPECIFY:

1. Quantity
2. Catalog Number
3. Pin Length
4. Bushing Length (Stock Die Sets are furnished with 2" Shoulder Length (2" Sticking Out), Bronze-Rite Bushings unless otherwise specified.)



OVERALL		THICKNESS		PIN DIA	CATALOG NUMBER
DEPTH	LENGTH	PH	DS		
10	10	1 1/4	1 1/2	1 1/4	S4-1010-12
10	12	1 1/4	1 1/2	1 1/2	S4-1012-12
10	14	1 1/2	1 1/2	1 1/2	S4-1014-22
10	16	1 1/2	1 1/2	1 1/2	S4-1016-22
12	12	1 1/2	1 1/2	1 1/2	S4-1212-22
12	14	1 1/2	1 1/2	1 1/2	S4-1214-22
12	16	1 1/2	1 1/2	1 1/2	S4-1216-22
12	18	1 1/2	1 1/2	1 1/2	S4-1218-22
14	14	1 1/2	1 1/2	1 1/2	S4-1414-22
14	16	1 1/2	1 1/2	1 1/2	S4-1416-22
14	18	1 1/2	1 1/2	1 1/2	S4-1418-22

MULTI-SLIDE STOCK DIE SETS

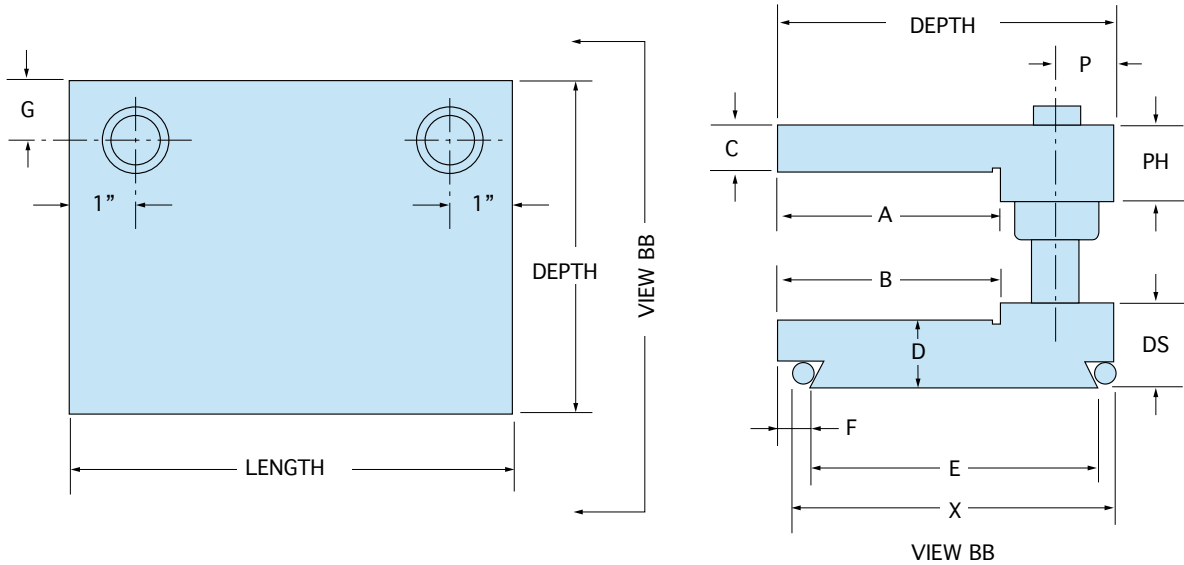


MULTI-SLIDE DIE SETS STOCKED IN WISCONSIN

Superior Multi-Slide Stock Die Sets are manufactured to meet or exceed specifications required on Four-Slide machines. Superior has these die sets available from stock in three styles and sizes. Multi-Slide Stock Die Sets are manufactured from Fortal®.

WHEN ORDERING PLEASE SPECIFY:

1. Quantity
2. Catalog Number



MULTI-SLIDE DIE SET SIZE INFORMATION															
STYLE	SIZE		THICKNESS		PIN LGTH										CATALOG NUMBER
	LGTH	DEPTH	PH	DS		A	B	C	D	E	F	G	P	X	
M-28	8	5.125	1.125	1.250	4	3.375	3.375	0.688	1.000	4.375	0.437	1.000	1.000	4.950	MF-28-08
M-28	10	5.125	1.125	1.250	4	3.375	3.375	0.688	1.000	4.375	0.437	1.000	1.000	4.950	MF-28-10
M-28	12	5.125	1.125	1.250	4	3.375	3.375	0.688	1.000	4.375	0.437	1.000	1.000	4.950	MF-28-12
M-33	8	6.875	1.125	1.500	4	4.875	5.125	0.688	1.250	4.000	0.625	1.125	1.125	4.573	MF-33-08
M-33	10	6.875	1.125	1.500	4	4.875	5.125	0.688	1.250	4.000	0.625	1.125	1.125	4.573	MF-33-10
M-33	12	6.875	1.125	1.500	4	4.875	5.125	0.688	1.250	4.000	0.625	1.125	1.125	4.573	MF-33-12
M-35	8	7.625	1.125	1.500	4.5	5.875	5.875	0.688	1.250	4.500	0.875	0.875	0.875	5.078	MF-35-08
M-35	10	7.625	1.125	1.500	4.5	5.875	5.875	0.688	1.250	4.500	0.875	0.875	0.875	5.078	MF-35-10
M-35	12	7.625	1.125	1.500	4.5	5.875	5.875	0.688	1.250	4.500	0.875	0.875	0.875	5.078	MF-35-12

(11/97) 5M



<http://www.hodie.com>

e-mail: sales@hodie.com

H&O DIE SUPPLY, INC.

7200 Interstate 20

Kennedale, TX 76060

Kennedale (214) 630-6660 / Toll Free(800) 222-5441

Fax (214) 630-6693

H & O DIE SUPPLY, INC.

+&\$\$ '=bHYfgHUY'&\$ • ? YbbYXUY, TX 7*\$*\$

We also carry...

Die Springs (Replacements for ALL Brands!)

Nitrogen Gas Springs (Replacements for ALL Brands!)

Die Set Components (Replacements for ALL Brands!)

Punches & Dies (Replacements for ALL Brands!)

We also stock every size Socket Head Cap Screw, Stripper Bolt, Dowel Pin, Flat Head Cap Screw & Socket Set Screw (cup point). We stock all of these items, over 300 Die Sets, Gun Taps, Tool Wrap (for heat treating) and many more tooling components for your convenience.



See our web site www.hodie.com for more information and to request literature on all of the different supplies & machinery that we carry.

CONTACT US TODAY!

Kennedale Area 214-630-6660

Toll Free 1-800-222-5441

Fax 214-630-6693

Email: sales@hodie.com

Web Site: www.hodie.com